

THE AIO SOLUTION® ADULT AND PAEDIATRIC BASE PLATE IN CARBON FIBRE LAMINATE COMPATIBLE WITH THE ELEKTA HEXAPOD™ EVO RT SYSTEM



Article No. : 32301/HX & 32301/HX/PED

A. GENERAL PRODUCT INFORMATION

These products are a medical device used for patient positioning and immobilisation of several anatomical regions in radiation therapy. These low density plates, that can be used for both simulation and treatment, have a cut-out which makes them compatible with the HexaPOD™ evo RT system.

To attain an optimal result, it is recommended to use this product in combination with Orfit immobilisation products.

B. PRODUCT DESCRIPTION

These carbon fibre laminate BASE PLATES are the basic element of "THE TOTAL AIO SOLUTION TREATMENT PACKAGE". These base plates have a cut-out with a removable bottom part which makes it compatible with the HexaPOD™ evo RT system. When removing the bottom part, the iBeam holes are not covered by the base plate so the HexaPOD frame can be attached to the iBeam table.

Base plate 32301/HX/PED has an extra row of extracranial slots to immobilise children in a comfortable and reproducible way.

These AIO BASE PLATES are used in combination with THE AIO SOLUTION CUSHIONS, the RAYCAST HIGH PRECISION HEAD SUPPORTS and BLOCKS & WEDGES, and with the EFFICAST PRECUTS to form a reproducible patient positioning and immobilisation device. Information on these other parts and instructions on how to make the masks can be found in the respective 'instructions for use' and on www.orfit.com.

C. PART LIST

Article n°	Description
32301/HX	AIO 2 nd generation adult base plate in carbon fibre laminate – Hexapod compatible
32301/HXP	Base plate for AIO 2 nd generation hexapod compatible adult base plate in carbon fibre laminate.
32301/HXA	Bottom plate for AIO 2 nd generation hexapod compatible base plates in carbon fibre laminate
32301/HX/PED	AIO 2 nd generation paediatric base plate in carbon fibre laminate – Hexapod compatible

32301/HX/PEDP	Base plate for AIO 2 nd generation hexapod compatible paediatric base plate in carbon fibre laminate.
32301/HXA	Bottom plate for AIO 2 nd generation hexapod compatible base plates in carbon fibre laminate

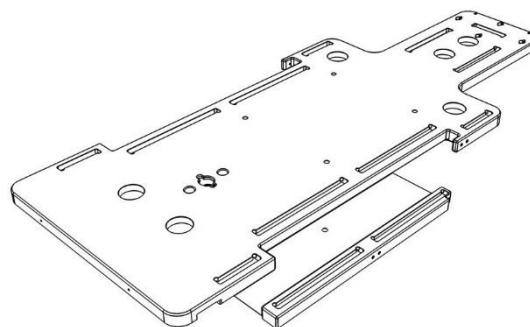
D. PRECAUTIONS FOR USE

This is a fragile product, please handle with care. Always place the base plate on a flat surface. Clear the treatment table of any debris before positioning the base plate.

Always fix the base plate securely to the treatment couch before positioning a patient. More information on how to fix this base plate to a couch top can be found on our website <http://www.orfit.com/en/fixation-devices/>.

If the base plate is used in overhang over the couch a Table Fix (art. no. 35744/6) or iBeam couch fixation (art. no. 32813) needs to be used at the caudal end to secure the base plate to the couch top. This prevents the base plate from falling off the table when the patient moves.

The base plates contain a removable bottom part which is not attached to the upper part. Remove both parts separately to prevent the parts from falling and getting damaged. The outer slots for thorax and pelvic masks are not available when used in combination with the HexaPOD™ evo RT system.



The CFL base plate is constructed to be light in weight and to have superb dosimetric properties. When handled roughly, it may get damaged and fibres may come off. When this happens,

stop using the base plate to prevent fibres from getting in contact with the patient's or user's skin. Contact your distributor.

E. STORAGE

Always store the product in a safe place to prevent it from getting damaged or falling onto other objects. Take care not to damage the edges of the plate when storing it in an upright position. Prevent hard objects from falling onto the plate.

Store the base plate between +10°C (50°F) and 40°C (122°F).

F. PROPERTIES

F.1. Physical Properties

32301/HX

Dimensions:

L 1346 mm x W 540 mm x H 30 mm

L 52.99" x W 21.26" x H 1.18"

Weight :

Including bottom part: 3,63 kg / 8.00 lbs

Excluding bottom part: 2.91 kg / 6.42 lbs

Dimensions bottom part:

L 568 mm x W 540 mm x H 30 mm

L 22.36" x W 21.26" x H 1.18"

Weight bottom part: 0.72 kg / 1.59 lbs

32301/HX/PED

Dimensions:

L 1346 mm x W 540 mm x H 30 mm

L 52.99" x W 21.26" x H 1.18"

Weight :

Including bottom part: 3,5 kg / 7.72 lbs

Excluding bottom part: 2.78 kg / 6.13 lbs

Dimensions bottom part:

L 568 mm x W 540 mm x H 30 mm

L 22.36" x W 21.26" x H 1.18"

Weight bottom part: 0.72 kg / 1.59 lbs

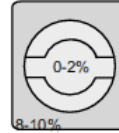
F.2. Dosimetric Properties

The general attenuation factor ($\pm 0,15\%$) for the Base Plates is as follows:

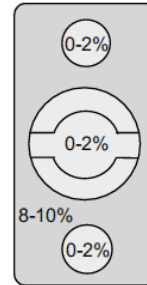
6 Mv	1.4 %
15 Mv	1.2 %
Skin build-up	4 mm H ₂ O equiv.

But the Base Plate has some areas where higher density ($\pm 1.4\text{ g/mm}^3$) materials have been used to reinforce some parts like screw inserts, grip pole inserts and the leg separator insert. The following drawing shows these areas and below the corresponding attenuation factors at 6MV are listed.

- 1) fixation screw inserts $\varnothing 1\text{ cm}$: 8-10 %
- 2) grip pole inserts:



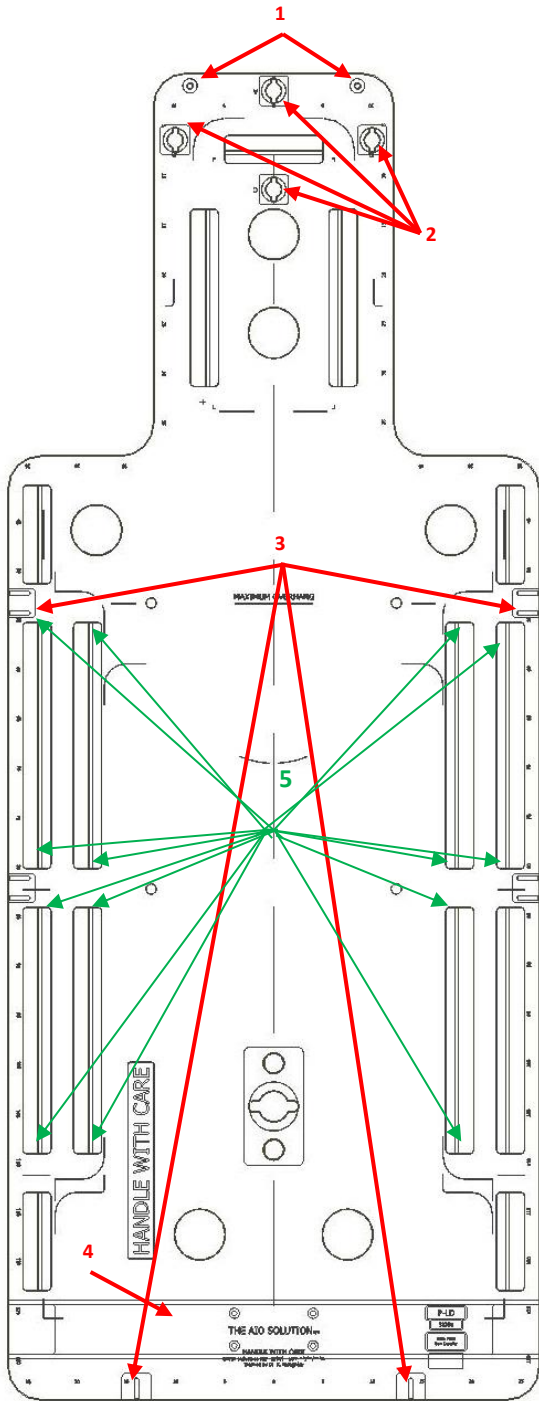
- 3) fixation screw inserts (blocks of 30x30x30mm): 8-10 %



- 4) table fix tunnel (runs across the base plate): 4-5 %
- 5) edge of pelvic slots: 8-10 %

Note: The picture below shows base plate 32301 instead of 32301/HX and 32301/HX/PED which have a removable bottom plate.

Note: Use these numbers as a guidance only. Perform the measurements again in your department to verify these results.



G. MAINTENANCE AND WASTE MANAGEMENT

This product can be cleaned and disinfected by means of an ethanol or an isopropanol based disinfectant, applied with a soft cloth. If unsure about the cleaning fluid, do not use. **Never use aerosol sprays, corrosive cleaning agents, solvents or abrasive detergents.** Further cleaning instructions can be found in the [Orfit Cleaning Guidelines](#).

Periodic checks of the product should be done to insure the parts are not worn and require repair or replacement. **Do not attempt to make repairs yourself.** Contact your distributor if there are any questions or concerns.

The product can be disposed of with household waste.

H. ADDITIONAL INFORMATION

For additional information such as distributor contact information, product brochures, Safety Data Sheets and regulatory information, please visit our website www.orfit.com.

Note:

It is prohibited to make alterations to this text without prior approval from Orfit Industries. The AIO Solution® is a registered trademark of Orfit Industries.



ORFIT INDUSTRIES
 Vosveld 9A | B-2110 Wijnegem | Belgium
 T (+32) (0)3 326 20 26
 welcome@orfit.com

www.orfit.com



Ref. No. 50118
 VERSION 2
 LAST UPDATE: 02/04/2021
 REVISION DATE: 02/04/2023